



## Duct Clean (DC) Series

**American Ultraviolet High-output DC Series germicidal fixtures** are designed specifically for HVAC applications. They can be mounted in various configurations for optimum pass-by air decontamination and/or to irradiate cooling coils and drain pans. Lamps and electronics can be accessed from outside the duct or plenum. “Green” lamps (contain  $\leq 8\text{mg}$  of mercury) extend inside to span supply ducts and/or cooling coils.

### Applications

DC Series fixtures are used for external installation in medium to large air handling systems in commercial, industrial, health care and institutional buildings.

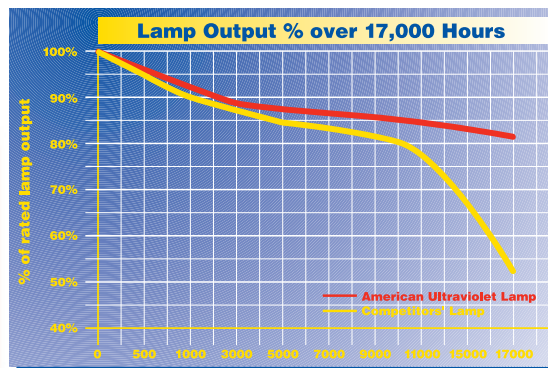
**DC Series Fixtures** are offered in two and four-lamp configurations. They may be mounted singly; in built-up banks; or in parallel configurations in a variety of locations, including coils, drain pans, ductwork, mixed air plenums and exhaust systems. The DC Series is available in five insertion depths (14”, 16”, 24”, 33”, and 45”) and four voltage options (115, 208, 230 or 277 VAC), providing installation flexibility to accommodate virtually any system.

DC Series Fixtures are designed for easy access lamp changes that do not require you to un-mount housing from ducting - simply remove the rear access panel, slide over the lamp retaining clips and remove the lamps. All electronic components are housed outside the ducting, including lamp power connection, which eliminates moisture contamination. Lamps are rated for two-year continuous operational life with approximately 20% drop in UVC output at end of lamp life.

**2 Lamp DC Series**



**4 Lamp DC Series**



### Benefits

- Improves Indoor Air Quality (IAQ) by reducing bacteria, viruses and mold that either grow or pass through the air handling systems. Reduce the risk of cold, flu, allergies and other illness associated with air handling systems
- “Green” lamps contain  $\leq 8\text{mg}$  of mercury
- Two-year (17,000 hours) guarantee on lamps with only 20% decrease in output over the two years
- Five-year, non-prorated warranty on the ballast
- Continuously cleans coils, drain pans, plenums and ducts, eliminating costly cleaning programs and the use of harmful chemicals and disinfectants
- Reduces HVAC energy costs by restoring heat transfer and net cooling capacity
- Produces no ozone or other secondary contaminants



# Duct Clean (DC) Series Fixtures

## DC SERIES SPECIFICATIONS:

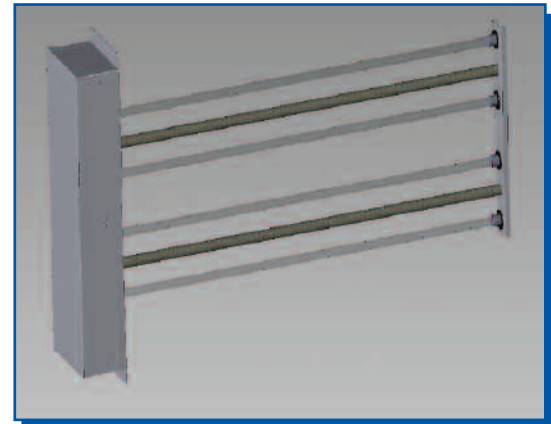
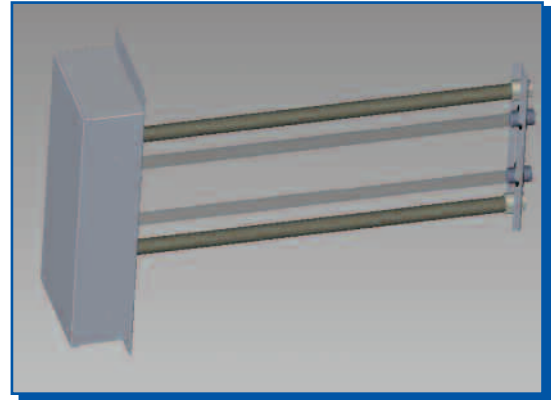
Every DC fixture is manufactured and factory assembled in the U.S.A., and tested prior to shipment. Each assembly consists of housing, support bracket, electronic ballast(s), power cord and high output lamps.

**FIXTURE:** Housings are constructed of heavy gauge hospital grade stainless steel. Lamp changes can be done without removing the fixture from the mounting. All components are in one integrated assembly to maximize serviceability.

**BALLAST:** The solid-state electronic ballast (furnished with this series) is a Class P rapid start with a power factor minimum of .95. It is available as a 120, 208, 230, or 277 VAC 50/60 Hz and is designed to maximize photon production in air temperatures of 35 to 175 degrees F. Minimum ballast start temperature is minus 20 degrees F. Ballasts have a RFI - EMI rating as defined by FCC part 18A for industrial / commercial applications in regards to suppression. Ballasts are UL listed and suitable for use in air handling spaces.

**LAMPS:** DC Series UVC lamps are high-output (800mA), T5 tube diameter, and constructed from hard glass tubing for superior UV transmittance. Lamps are "green", containing  $\leq 8\text{mg}$  of mercury (Hg) and they produce no ozone. Lamps shall retain, at minimum, 80% of initial output after 17,000 hours of use. Electrodes are designed to maximize plasma convection and stability for superior lamp performance. Lamps are rated to produce 11.7 microwatts/cm<sup>2</sup> per linear inch of lamp arc length at a distance of one meter. This output has been independently tested in airstreams of 400 feet per minute velocities at temperatures of 45 degrees F.

**INDEPENDENT TESTING:** Units are tested in accordance with the general provisions of IES Lighting Handbook, 1981 Applications Volume, and provide output per 1" arc length of not less than 11.7  $\mu\text{W}/\text{cm}^2$  at 1 meter in a 400 fpm airstream of 45° F.



## ORDERING SPECIFICATIONS

Fixture	Insertion Depth	# of Lamps per Fixture	Lamp Used	Voltage	Fixture	Insertion Depth	# of Lamps per Fixture	Lamp Used	Voltage
DC14-2-120	14"	2	SBL410	120	DC14-4-120	14"	4	SBL410	120
DC14-2-230	14"	2	SBL410	208/230	DC14-4-230	14"	4	SBL410	208/230
DC14-2-277	14"	2	SBL410	277	DC14-4-277	14"	4	SBL410	277
DC16-2-120	16"	2	SBL430	120	DC16-4-120	16"	4	SBL430	120
DC16-2-230	16"	2	SBL430	208/230	DC16-4-230	16"	4	SBL430	208/230
DC16-2-277	16"	2	SBL430	277	DC16-4-277	16"	4	SBL430	277
DC24-2-120	24"	2	SBL415	120	DC24-4-120	24"	4	SBL415	120
DC24-2-230	24"	2	SBL415	208/230	DC24-4-230	24"	4	SBL415	208/230
DC24-2-277	24"	2	SBL415	277	DC24-4-277	24"	4	SBL415	277
DC33-2-120	33"	2	SBL420	120	DC33-4-120	33"	4	SBL420	120
DC33-2-230	33"	2	SBL420	208/230	DC33-4-230	33"	4	SBL420	208/230
DC33-2-277	33"	2	SBL420	277	DC33-4-277	33"	4	SBL420	277
DC45-2-120	45"	2	SBL445	120	DC45-4-120	45"	4	SBL445	120
DC45-2-230	45"	2	SBL445	208/230	DC45-4-230	45"	4	SBL445	208/230
DC45-2-277	45"	2	SBL445	277	DC45-4-277	45"	4	SBL445	277



**American Ultraviolet**

Since 1960. It's all we do.

[www.americanultraviolet.com](http://www.americanultraviolet.com)

212 South Mt. Zion Road • Lebanon, IN 46052

(765) 483-9514 • (800) 288-9288

Fax: (765) 483-9525

Represented by: